

Steering Committee meeting

11th – 12th May 2011, Tivat

WBC-VMnet Project Partner presentation

Živko Babić, University of Banja Luka

Outline

- ❖ Overall achievements, project implementation timeframe, obstacles and shortcomings
- ❖ Key project results, per Outcomes
- ❖ Sistematization of knowledge
- ❖ Vocational trainings implementation
- ❖ Proposals for PPP implementation (at EU and WBC)
- ❖ Proposals for IFP implementation
- ❖ Conclusions

❖ Overall achievements

Following the third Steering Committee meeting, project team at the University of Banja Luka has achieved the following results (in accordance with the requirements of the project):

- Continued process of setting up Collaborative Training Center Banja Luka
 - equipping and establishing of software for 3D simulation simufact.forming 9.0, update with simufact.forming 10.0
 - trainings for CTC staff in Serbia and Croatia (two workshops)
- New VMnet members in network

- Graduate papers are made using the software application in CTC Banja Luka
- Participation in workshops called "Innovations in Engineering Design" at the University of Kragujevac and University of Rijeka
- Creation of Programs for specialized vocational trainings
- Preparation of teaching material for the developed vocational trainings
- Dissemination activities and translation of Promotional materials in local languages
- Web site design of Collaborative Training Center (CTC) Banja Luka
- The organization and implementation of the course of CAD modelling

Obstacles and shortcomings

The same obstacles that have previously been mentioned in reports, such as:

- Poor and unstable economy situation
- Complicated procedure of software purchase
- Low level of university-enterprise cooperation
- Poor concern of directors and managers for employees' progress
- Existing examples of good practice are mainly based on individual initiatives and personal relationships

❖ Key project results, per Outcomes

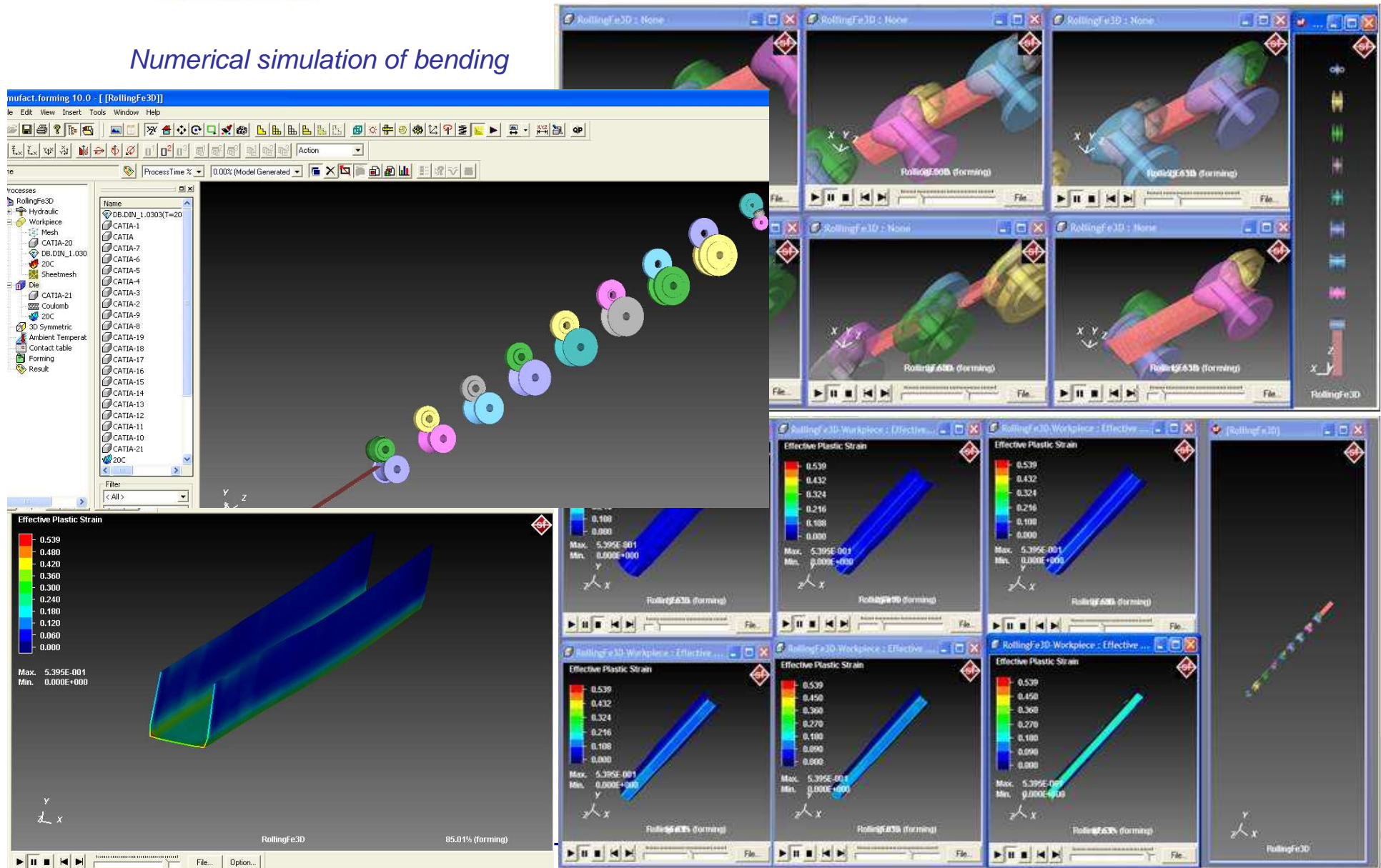
From September 2010 to April 2011:

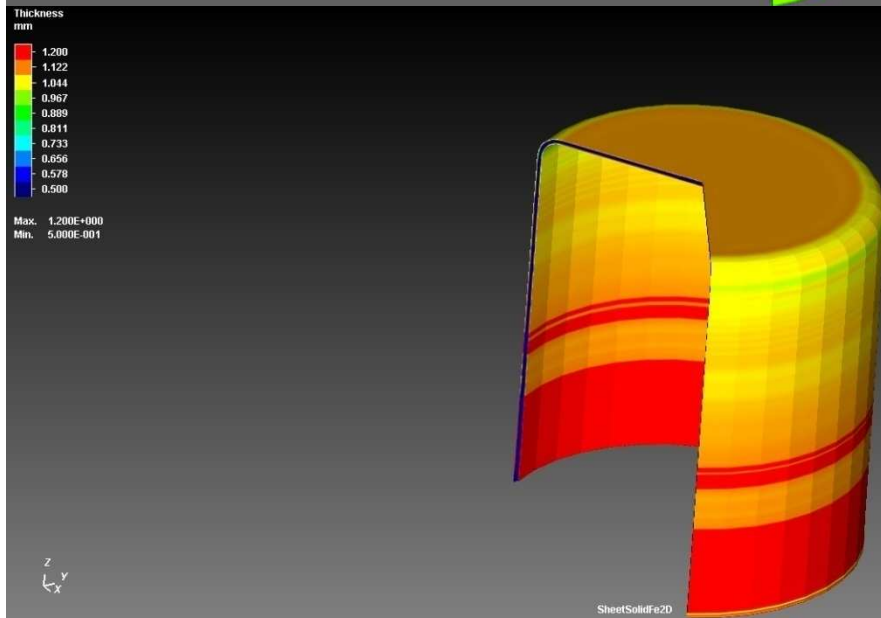
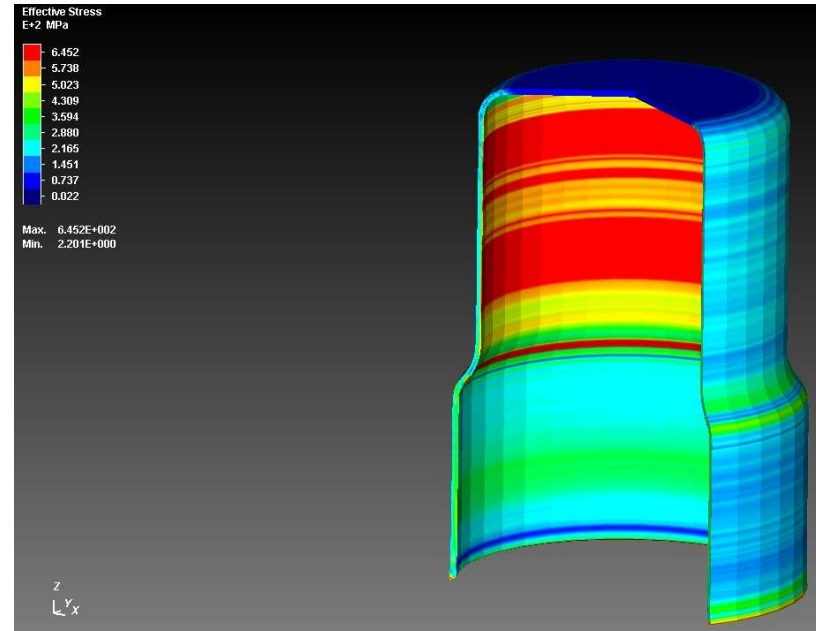
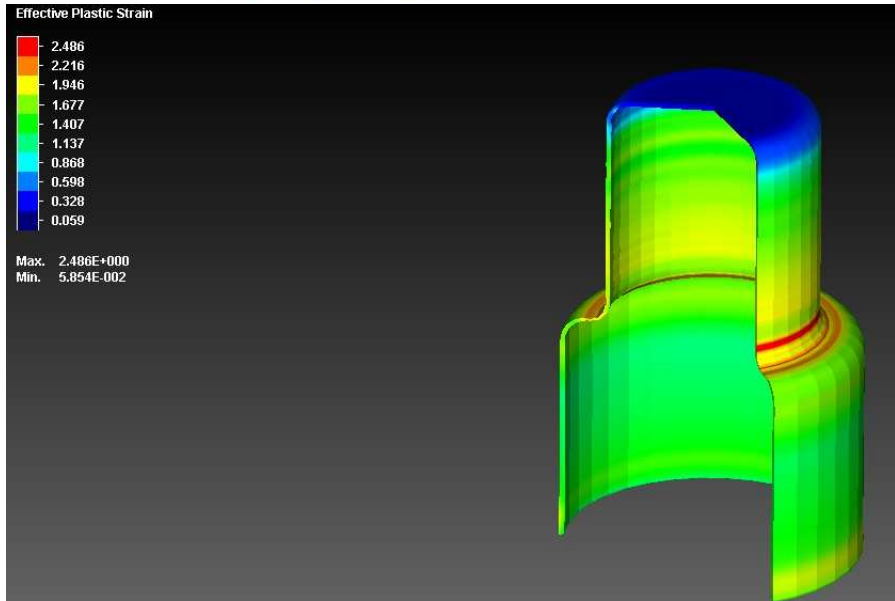
OUTCOME 1: Collaborative Training Center Banja Luka (CTC) is established...

- Software installation of simufact.forming 10.0 for metal forming simulation
- Training staff on software
- Graduation of students
- Simulation process for scientific papers

- Preparation of teaching material for the Software simufact.forming 9.01
- Organizing training for VM software for the simulation simufact.forming 10.0
- Creation of Programs for specialized vocational trainings: “Advanced CAD modeling using Solid Works” and “NC programming and the basics of CAM modeling”
- Preparation of teaching material for the developed vocational trainings
- Realization of course “Advanced CAD modeling using Solid Works”

Numerical simulation of bending





Numerical simulation of deep drawing

OUTCOME 2: VMnet network is enlarged throughout the WBC region...

- Constantly looking for new members of VMnet network
- Result: more new VMnet members from BiH

OUTCOME 3: Model for university-enterprise cooperation

- Final versions of the brochure **WBC Regional model of university enterprise cooperation** on the local environment distributed
- Printed brochures sent to Universities, Faculties and other institutions
- Coordination of implementation of model cooperation

OUTCOME 5: Programme of vocational training, industrial fellowship and student practical placement developed...

Student Practical Placement Programme (PPP) structure completed:

- completed in English and local languages
- presented at the Faculty and the University

Promotion of the Student Practical Placement programme project material

The results and activities are published on the website of the project


www.wbc-vmnet.rs

Started the implementation of IFP programme

OUTCOME 6: Dissemination

Website of the Collaborative Training Center (CTC) Banja Luka was created and started (www.ctcunibl.rs).

E-mail address was created: ctc@unibl.rs



The screenshot shows a web browser displaying the website <http://www.ctcunibl.rs>. The page features a header with logos for the European Commission TEMPUS, the University of Banja Luka, and the CTC Banja Luka. A navigation menu includes links for NASLOVNA, O CENTRU, RESURSI, USLUGE, OBUKE, PSP PROGRAM, ISP PROGRAM, GALERIJA, and KONTAKT. The main content area is titled 'Mreža Kooperativnih trening centara u zemljama Zapadnog Balkana' and includes a map showing the locations of CTC centers in Rijeka, Banja Luka, Kragujevac, and Podgorica. Below the map, there is a section for 'Kooperativni Trening Centar Banja Luka' with a description of the center's mission and a list of services and programs. The footer contains logos for the University of Banja Luka and the Center for Virtual Manufacturing.

OUTCOME 9: Management of the project

- Four Partner report:
Technical and Financial report with Cash flow tables, accompanied
by copies of supporting documents we submitted to University of
Kragujevac

❖ Sistematization of knowledge

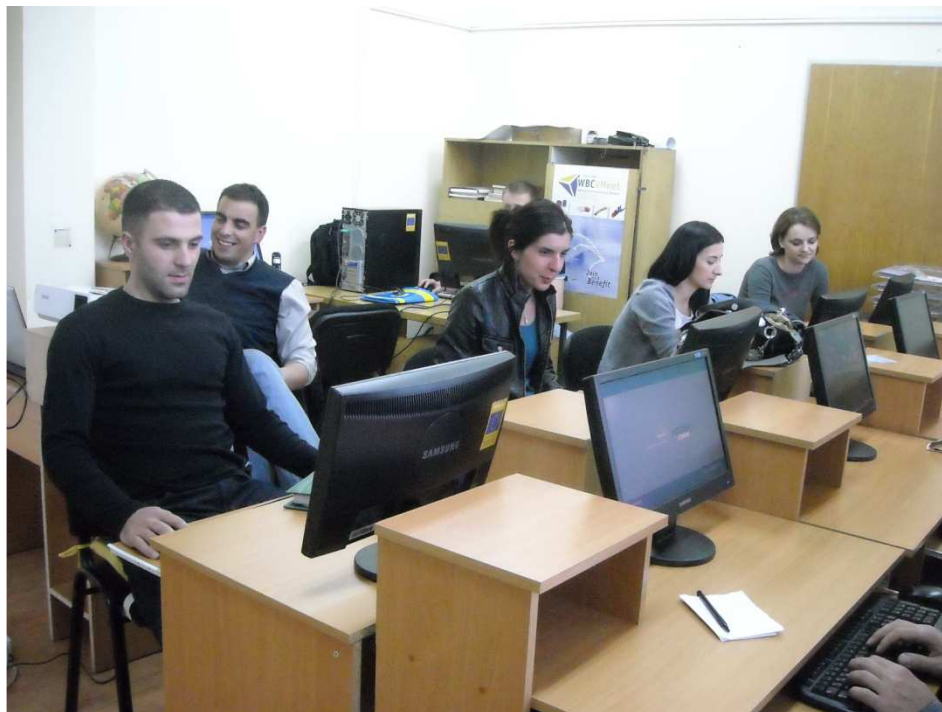
Knowledge base on the subjects prepared:

- Machines, tools and methods of machining
- Measurement of Noise and Vibration

❖ Vocational trainings implementation

- During the CAD training in CTC Banja Luka
- One specialized training was realized (ten participants completed the training)

Trainees in CTC Banja Luka



❖ Proposals for PPP implementation (at EU and WBC)

- Two students of the Faculty of Mechanical Engineering in Banja Luka should visit an EU partner institution (DIMEG-University of Padova or University of Ljubljana) for a month, July-September 2011, to practice some of the following research themes:

- rapid prototyping
- rapid manufacturing
- ...

- Two students should visit WBC partners (University of Kragujevac & SCGM or University of Rijeka & ELCON Geretebau) to gain practice in:

- die design,
- rapid prototyping,
- mold design
- ...

❖ Proposals for IFP implementation

CTC Banja Luka can offer partnership to SMEs (TRI BEST, R&D, ELAS, ...) in the following fields:

- Application of CAD/CAM technology (SolidWorks, Catia)
- Process simulations
- Noise measurement
- Vibration measurement
- Machines and tools

❖ Conclusions

- Activities of the University of Banja Luka on the WBC-Vmnet project were mainly performed in accordance with the requirements of the project
- All requirements of the project are mainly carried out in accordance with the implementation plan

Thank you for Your attention!